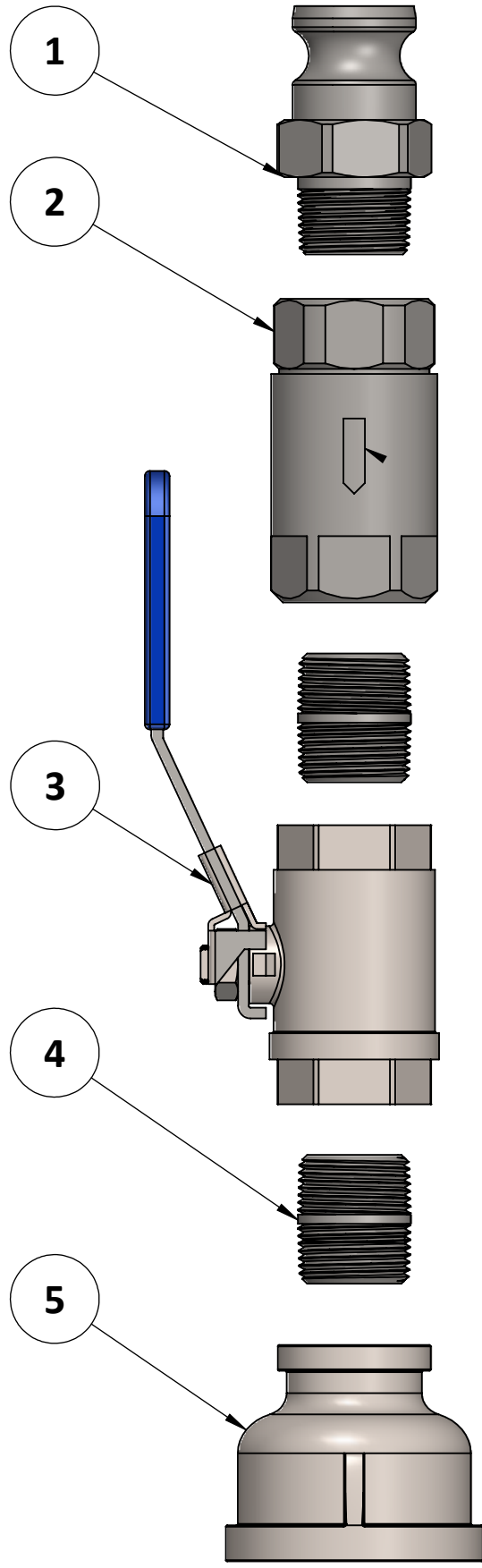


8 7 6 5 4 3 2 1


ITEM NO.	PartNo	DESCRIPTION	QTY.
1	1000403	CAM-LOCK, 1", TYP F, SS	1
2	1000401	VALVE, 1" CHECK, BALL, 1000 WOG, SS	1
3	1000397	VALVE, 1" 2000 WOG LOCKING BALL VALVE, SS	1
4	1000398	NIPPLE, 1" X CLOSE, SS	2
5	1000400	BELL REDUCER, 2" X 1", SS	1



D
C
B
A

D
C
B
A

8 7 6 5 4 3 2 1



PUMPONE ENVIRONMENTAL LLC

PROPRIETARY AND CONFIDENTIAL
THE INFORMATION CONTAINED IN THIS DRAWING IS THE SOLE PROPERTY OF PUMPONE ENVIRONMENTAL, LLC. ANY REPRODUCTION IN PART OR AS A WHOLE WITHOUT THE WRITTEN PERMISSION OF PUMPONE ENVIRONMENTAL, LLC IS PROHIBITED.

PumpOne Environmental, LLC

TITLE:
LEACHATE DISCHARGE KIT, VALVE MANIFOLD, 2"

SIZE B	DWG. NO. 2000032	REV 2
------------------	----------------------------	-----------------

SCALE: 1:8 DO NOT SCALE DRAWING SHEET 1 OF 1

A