

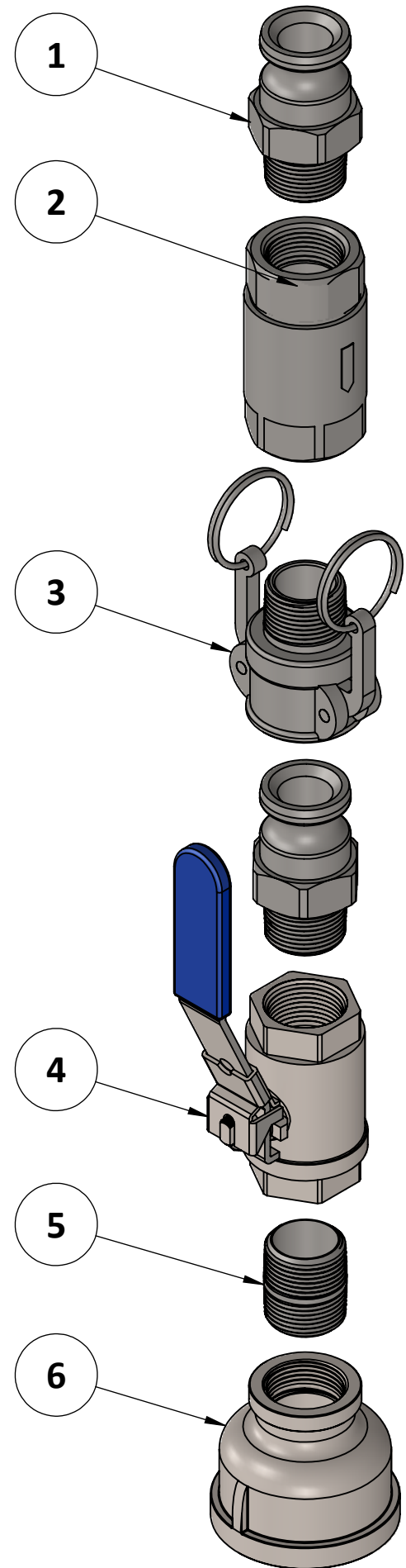
8 7 6 5 4 3 2 1

D

C

B

A



ITEM NO.	PartNo	DESCRIPTION	QTY.
1	1000403	CAM-LOCK, 1", TYP F, SS	2
2	1000401	VALVE, 1" CHECK, BALL, 1000 WOG, SS	1
3	1000407	CAM-LOCK, 1' TYP B, SS	1
4	1000397	VALVE, 1" 2000 WOG LOCKING BALL VALVE, SS	1
5	1000398	NIPPLE, 1" X CLOSE, SS	1
6	1000400	BELL REDUCER, 2" X 1", SS	1

D

C

B

A

**PART NUMBER: 2000186**



**PROPRIETARY AND CONFIDENTIAL**  
 THE INFORMATION CONTAINED IN THIS DRAWING IS THE SOLE PROPERTY OF PUMPONE ENVIRONMENTAL, LLC. ANY REPRODUCTION IN PART OR AS A WHOLE WITHOUT THE WRITTEN PERMISSION OF PUMPONE ENVIRONMENTAL, LLC IS PROHIBITED.

PumpOne Environmental, LLC		
TITLE: BOM, LEACHATE DISCHARGE KIT, COLD CLIMATE, VALVE MANIFOLD, 2", EXPLODED VIEW		
SIZE <b>B</b>	DWG. NO. 3000165	REV 2
SCALE: 1:8	DO NOT SCALE DRAWING	SHEET 1 OF 1

8 7 6 5 4 3 2 1