
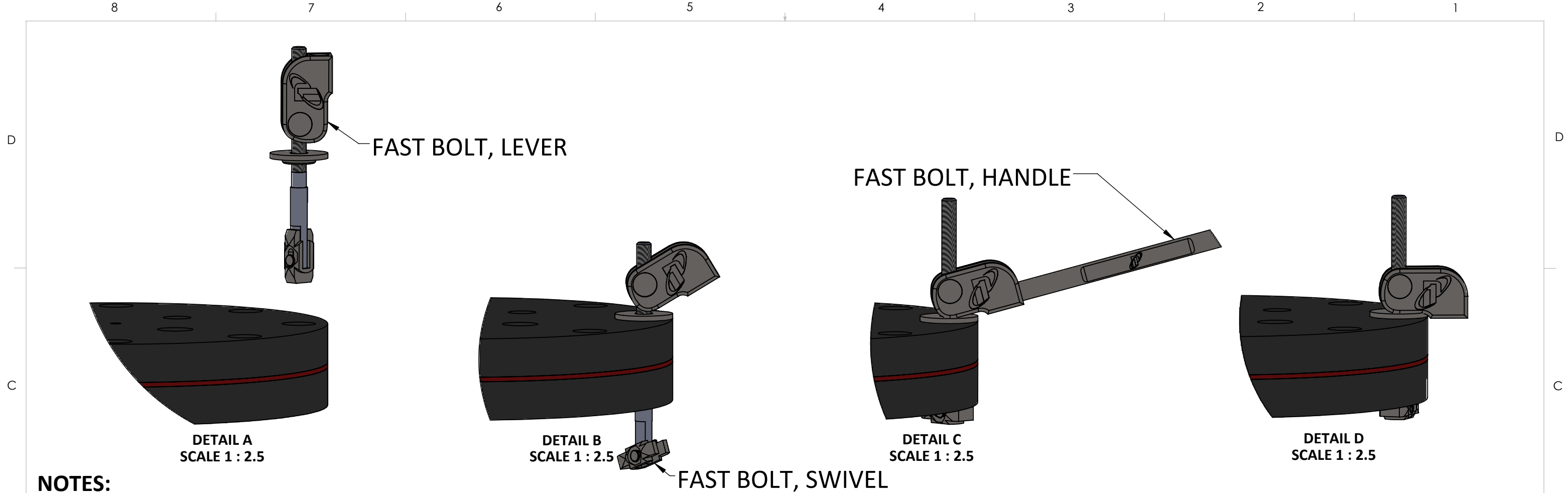


ITEM NO.	PartNo	DESCRIPTION	QTY.
1	1001151	FAST BOLT, HANDLE	1
2	1000946	FAST BOLT, LEVER	1
3	1000939	FAST BOLT, SHAFT	1
4	1000941	FAST BOLT, NUT	1
5	1000940	FAST BOLT, WASHER	1
6	1000998	FAST BOLT, SWIVEL	1
7	1001150	FAST BOLT, RIVET	1

SEE PAGE 2 FOR INSTALLATION INSTRUCTIONS
 PART NUMBER: 2000173

 PUMPONE ENVIRONMENTAL LLC	UNLESS OTHERWISE SPECIFIED: DIMENSIONS ARE IN INCHES TOLERANCES: ANGULAR: MACH .5° ONE PLACE DECIMAL : ±0.050 TWO PLACE DECIMAL : ±0.010 THREE PLACE DECIMAL: ±0.005	<table border="1"> <thead> <tr> <th></th> <th>NAME</th> <th>DATE</th> </tr> </thead> <tbody> <tr> <td>DRAWN</td> <td>JP</td> <td>10/24/2017</td> </tr> <tr> <td>DESIGNED</td> <td>RW</td> <td>10/24/2017</td> </tr> <tr> <td>CHECKED</td> <td>BD</td> <td>10/24/2017</td> </tr> <tr> <td>MFG APPR.</td> <td>BD</td> <td>10/24/2017</td> </tr> </tbody> </table>		NAME	DATE	DRAWN	JP	10/24/2017	DESIGNED	RW	10/24/2017	CHECKED	BD	10/24/2017	MFG APPR.	BD	10/24/2017	PumpOne Environmental, LLC TITLE:	
		NAME	DATE																
DRAWN	JP	10/24/2017																	
DESIGNED	RW	10/24/2017																	
CHECKED	BD	10/24/2017																	
MFG APPR.	BD	10/24/2017																	
MANUFACTURE PER ASME Y14.5M, LATEST REVISION	MATERIAL SEE BOM	PROPRIETARY AND CONFIDENTIAL THE INFORMATION CONTAINED IN THIS DRAWING IS THE SOLE PROPERTY OF PUMPONE ENVIRONMENTAL, LLC. ANY REPRODUCTION IN PART OR AS A WHOLE WITHOUT THE WRITTEN PERMISSION OF PUMPONE ENVIRONMENTAL, LLC IS PROHIBITED.	BOM, FAST BOLT, SS, EXPLODED VIEW Thursday, August 25, 2016 11:01:24 AM																
	DEBURR & BREAK ALL EDGES .005-.01 FINISH UNLESS NOTED OTHERWISE		SIZE B	DWG. NO. 3000330	REV 1														
			SCALE: 1:16	DO NOT SCALE DRAWING	SHEET 1 OF 2														



NOTES:

1. ENSURE THAT THE GASKET HOLES ARE ALIGNED WITH THE FLANGE HOLES.
2. WITH THE SWIVEL IN THE VERTICAL POSITION, LOWER THE FAST BOLT THROUGH THE FLANGE HOLE. (DETAIL A)
3. TURN THE SWIVEL TO THE VERTICAL POSITION. (DETAIL B)
4. LOWER THE LEVER DOWN UNTIL SNUG. (DETAIL C)
5. WHILE THE LEVER IS RAISED SLIGHTLY FROM THE CLOSED POSITION, TWIST THE SWIVEL CLOCK-WISE, SO THAT A SMALL AMOUNT OF FORCE IS NEEDED TO COMPLETELY CLOSE THE HANDLE. (DETAIL D)
6. REPEAT THE ABOVE PROCEDURE UNTIL ALL FAST BOLTS ARE INSTALLED.
7. SLIGHTLY RETIGHTEN EACH FAST BOLT SO THAT THEY ALL REQUIRE ROUGHLY THE SAME AMOUNT OF FORCE TO CLOSE HANDLE. TIGHTEN BOLTS IN A CROSSING PATTERN.

****HANDLE SHOULD BE CLOSED BY HAND ONLY****

PUMPONE ENVIRONMENTAL LLC

PROPRIETARY AND CONFIDENTIAL
THE INFORMATION CONTAINED IN THIS DRAWING IS THE SOLE PROPERTY OF PUMPONE ENVIRONMENTAL, LLC. ANY REPRODUCTION IN PART OR AS A WHOLE WITHOUT THE WRITTEN PERMISSION OF PUMPONE ENVIRONMENTAL, LLC IS PROHIBITED.

PumpOne Environmental, LLC		
TITLE: BOM, FAST BOLT, SS, EXPLODED VIEW		
SIZE B	DWG. NO. 3000330	REV 1
SCALE: 1:32	DO NOT SCALE DRAWING	SHEET 2 OF 2